

Automatic System

for Quality Control and Traceability of Cleaning,
Disinfection and Sterilization Processes.



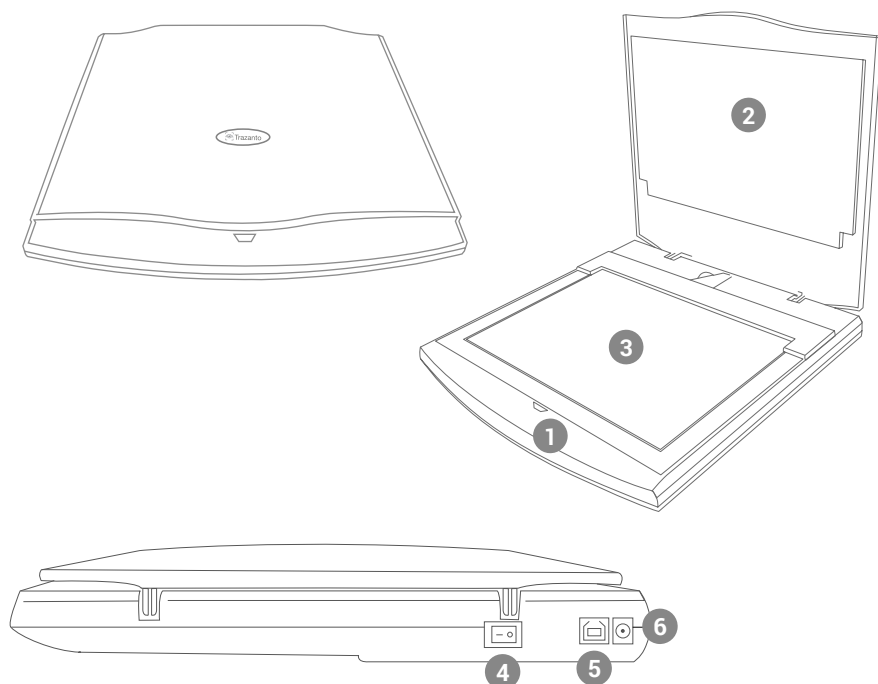
Innovation in technologies for Infection Control



TERRAGENE®

Rev.1 | December 2019

Composition	4
References	4
Description of use	4
Safety Information	5
Symbols	5
Power supply specifications	6
Environmental operating conditions	6
Series/Lot number	6
System requirements	6
Instructions for Use	7
Start-up	7
Interpretation of Results	8
Indicators Disposal	8
Care & Cleaning	8
Troubleshooting Table	10
Warranty	11
Liability Limitations	11
Technical Assistance	11



References

- 1 Power LED indicator
- 2 Cover
- 3 Glass
- 4 Power button
- 5 USB port
- 6 Power supply input

Description of use

Trazanto Automatic System for Quality Control and Traceability of Cleaning, Disinfection, and Sterilization Processes has been designed to assist the user in the processing of Terragene® indicators in a quick and easy manner.

To access the complete list of indicators compatible with the system, please visit www.terragene.com.ar/trazanto

Trazanto is a system comprised of two fundamental modules: a software-implemented Analysis module, and a hardware module.

The hardware module is composed of the Trazanto Optical Reader, an optical image acquisition device carefully controlled and calibrated to achieve reliability and repeatability of all measurements performed on compatible indicators.

The Analysis Module has been designed to work together with the Trazanto reader. The module performs the readout and detection of compatible indicators through the use of advanced intelligent algorithms, which retrieve and digitize all the relevant indicator information and display it conveniently, facilitating the identification of approved and rejected indicators.

Trazanto speeds up the process of registering the indicators for future use by allowing the data digitized by the analysis module to be registered for traceability using appropriate software. Trazanto is fully compatible with Bionova® Traceability Software. Trazanto's Analysis Module is distributed with the latest version of Bionova® Traceability Software. Follow the instructions in the *Start-up* section to download and install the software.



Simultaneous readout of more than one indicator is not possible.

Symbols



Operating relative humidity.



Operating environmental temperature.



Caution, warning.



Important, attention.



Direct current.



For indoor use.



Keep away from sunlight.



Manufacturer.



Serial number.



Lot number.



Separate collection for waste of electrical and electronic equipment

Trazanto's LED light sources do not represent photobiological risk and do not generate dangerous optical radiation in any of their operational conditions.



To avoid risks and damaging the equipment

- For indoor use only
- Do not hit the glass, it is fragile and may break.



To avoid automatic readout errors

- Verify that moisture condensation is not present on the reader's glass.
- Verify that the glass is free of dirt, stains, dust, etc.
- Do not open the cover during a readout.

- Unplug the device if you are not going to use it for a long time (during the night or the weekend) to prevent the risk of fire.
- Do not place the device in a room exposed to direct sunlight or to high luminous intensity lamps.
- Do not place the reader near devices that emit strong magnetic fields.
- Do not use the device on leaned surfaces or on surfaces that are subject to shocks, vibrations, temperature or high relative humidity.
- Do not use the device near to places with dust water or heat.
- Do not pour any liquid inside.
- Do not submerge the device into any liquid.
- Make sure that the device is connected to the correct power supply.
- Only use the AC power adapter included with the device. The use of AC power adapters different from the one given may cause fires, electrical shocks, or even physical injuries.
- Only use the AC power cord and the USB cable included with the device. Verify that the cables are in good condition on a daily basis. If the cables are damaged, discontinue their use. The use of AC power cords and/or USB cables different from the ones given may cause fires, electrical shocks, or even physical injuries.
- Unplug the power supply cord before cleaning the device.
- Do not plug any devices into the Trazanto reader USB port other than a personal computer. The computer has to be compliant with IEC 60950-1, IEC 62368-1, or comparable with safety extra-low voltages on the USB ports. Ask a qualified technician to verify equipment compatibility. Attaching any other device to the USB port may damage the reader and may not be safe for the user.
- Do not use abrasive, corrosive cleaners or disinfectants.
- In case of a technical failure, contact the manufacturer for advice. Please, do not open and/or try to fix the device on your own, this will void the warranty and may cause a bigger and irreversible damage.

- Verify that after the cleaning or sterilization process the indicator does not show alterations such as scratches, tears, other mechanical failures and/or alterations in its plastic laminate.
- Do not write on the indicators before performing the readout.



Do not use this product in a way different from the one specified by Terragene® S.A. Otherwise, the protection given may be affected. Only personnel authorized by Terragene® S.A. should open the equipment and have access to its components. No repairs should be made by the user.

Power supply specifications

Input parameters	Operating Conditions	Units
Voltage range	100-240	ACVolt
Frequency	50/60	Hertz
Current	0.6	Amperes
Output parameters	Operating Conditions	Units
Voltage	24	DC Volts
Current	0.75	Amperes

Terragene® recommends the use of UPS instead of voltage stabilizers, since they fulfill two functions: to stabilize and maintain the energy during a power outage.

Environmental operating conditions

Environmental conditions	Operating Conditions	Units
Altitude	3500 (máx.)	Meters
Operating temperature	10-30	Celcius
Relative humidity	30-80	%
Voltage installation	Category II	
Storage temperature	10-30	Celcius
Voltage	24	DC Volts

Series/Lot number

For an easy identification, every Trazanto reader has a unique series number printed on a label located on the bottom of the device. Please, record your series number on this guide for future reference:

Serial number: _____

Batch number: _____

System requirements

These are the minimum hardware requirements, as a general guidance:

CPU: Dual core, 2GHz

RAM Memory: 32 bit: 2 GB / 64 bit: 4 GB

USB Port: USB 2.0 (compatible with USB 3.0)

Operative system: Windows 7 (SP1) / 8 / 10

Start-up

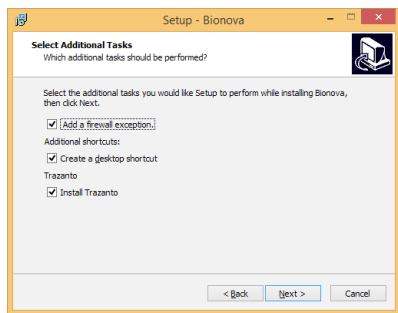
1- Place the Trazanto reader on a firm surface, without vibrations, away from sunlight and from chemical products that are either abrasive or flammable. Place the device with the cover facing upwards, and the power LED indicator pointing towards you. Place the device in a way that it is not difficult to unplug it from the power supply input. Leave at least 10 cm between the device and the wall. Do not move the device on a regular basis or during its use. Connect the device to a safe and stable electric power source.



Do not wet or heat the device. If any liquid is spilled over the device, unplug it and dry it immediately.

2- In order to use Trazanto together with Bionova® Traceability Software, download the latest available version of the traceability software from the following link <http://www.terragen.com.ar/software>

Once the file has been downloaded, run the installer and follow the instructions on the screen, verifying that the option "Install Trazanto" is selected at the time of installation.

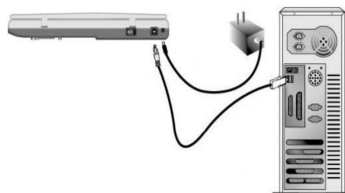


NOTE: To make sure that Trazanto reader will be detected properly, install the software before connecting it to the PC for the first time.

3- Turn on the device by connecting the AC power supply to mains, and the other end (plug) on the back of the device. Press the power button on the back of the device to the position "I". The power LED indicator will turn on indicating that the device is ready for use.

NOTE: To turn off the device, press again the power button to the position "O".

4- Connect the square end of the USB cable to the USB port of the device, and the rectangular end to the USB port of the PC.



5- Run the Bionova® Traceability Software.

6- Open the cover of the device. Put a chemical or cleaning indicator on the glass with the ink facing downwards. It is not necessary to line up the indicator.



IMPORTANT:



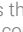
Put only one indicator every time an automatic readout is performed.



For a correct readout, the glass must be free of condensation, dirt, stains, dust, digital prints, etc. If the glass is not clean, please follow the cleaning procedures described in *Care & cleaning* section



Do not write on the indicator before performing its automatic readout. Any written marks on the indicator may invalidate the readout process.

Start the automatic readout process. For doing so, close the cover of the device and, once in the Bionova® Traceability Software, go to the TRAZANTO tab or press the icon  on the task bar. Press the button ANALYZE to star the readout. If it runs correctly, a window as the one below will pop up, with all the information of the analyzed indicator and the readout results.

⚠️ Verify that after the sterilization process the indicator does not have scratches, tears, or air bubbles on the ink. Given that this could influence the automatic readout process, check the results visually.

Interpretation of Results

Automatic Readout

Read carefully the instructions for use of every indicator before performing its automatic readout. In all cases check the results visually. The results of an indicator's readout may be:

Rejected The reader detects that the indicator has not completely changed color.

Accepted The reader detects that the indicator has completely changed color.

The automatic readout process requires an appropriate preparation of the indicator. Every time an indicator is read, verify that the image result is clear enough, and that it does not have stains external to the indicator. If you see that the image result is not clear enough, has stains or visible dirt, please follow the cleaning procedures described in *Care & Cleaning* section. Afterwards, perform again the automatic readout of the indicator.

Visual readout

Use the result's reference guide that is included in every indicator's instruction for use when verifying the results visually

Indicators Disposal

Discard the indicators after its use, according to the sanitary regulations of your country. It is not possible to reuse the indicators.

Care & Cleaning

Before performing any cleaning procedures on the Trazanto Reader, turn off the device and unplug the power and USB cables from the back panel. Wait a few minutes until the device is at room temperature before cleaning it.

Cleaning of external surfaces

Clean the external surfaces with a slightly damp cloth. Do not allow any liquid to run inside the device. Do not clean the inside of the device. If the internal components require a general cleaning, please contact your local distributor.

Depending on the type of indicator, the following fields will be automatically filled in:

Manufacturer, date of expiration, date of manufacture, brand, product code and lot. The result will be informed over the image of the analyzed indicator. Additionally, complete the required process fields.

Check the result of the indicator visually. If your visual result matches that of the automatic readout, press the *Agree* button to save the result. If your visual result does not match that of the automatic readout, press the *Disagree* button to save the result of your visual exam.

To discard the automatic readout of an indicator, press the button

- ⚠️ The first time the reader is used to perform the analysis of an indicator, Trazanto will connect to the Internet once only to download the configuration files necessary for its operation. Verify that your PC has an active Internet connection.
- ⚠️ Read carefully the instructions for use of the indicators you use. Use the results' reference guide that is included in every indicator's instruction for use when you have to verify the result visually.

Cleaning of the glass

The glass should be clean and free from stains in order to ensure the quality of the indicator's analysis.

Procedure:

1. Turn off the Trazanto Reader, and unplug the power and USB cables from the device.
2. Wait until the glass is at room temperature.
3. Slightly moisten the included microfiber cloth with isopropyl alcohol (95%). Verify that the cloth is clean. Do NOT use water.
4. Open the cover and carefully clean the glass. Use gloves.
5. Wait a few minutes while the alcohol evaporates. Verify that there are no stains or remains left on the glass.
6. Close the cover.



Do not clean the glass if the device is at a temperature higher than room temperature, since this could cause serious damages to the device.

Troubleshooting Table

Failure	Possible cause	Action
Trazanto reader does not turn on.	The power supply is not properly connected to the reader.	<p>Verify that the power supply is connected to a proper mains supply.</p> <p>Check that the power supply plug is properly connected to the reader.</p>
Can't access to Trazanto from Bionova® Traceability Software.	Problems during the installation of Trazanto system.	Download and install the latest version of Bionova® Traceability Software. Verify that the check box "Install Trazanto" is checked at the time of installation.
Can't establish connection with the reader. <i>Error message "Reader not detected"</i>	<p>USB cable USB not connected / not properly connected</p> <p>Problems during the installation of Trazanto system.</p>	<p>Check the USB cable connection. Try to unplug all the USB cable connectors and plug them in again.</p> <p>Verify that Trazanto system has been properly installed.</p> <p>Verify that the reader has been properly recognized and installed by the operating system.</p>
There is a black line through the digitalized image.	Communication problem with the reader.	Reset the reader. Press the power button to position "0", wait 10 seconds, and press again the button to position "1".
The digitalized image has marks that are not in the indicator.	There is dirt on the glass.	Clean the glass as indicated in the <i>Care & Cleaning</i> section.
Trazanto cannot analyze an indicator for the first time. <i>Message "Calibration files have not been found"</i>	<p>There is dirt on the glass.</p> <p>The reader's configuration files have not been downloaded.</p>	Verify that your PC has internet access. Close the traceability software, and follow the steps in the <i>Start-up</i> section
Trazanto cannot analyze properly an indicator. <i>Message "Verify that the indicator is compatible with the system"</i>	<p>There is no indicator on the reader.</p> <p>Partial readout of an indicator/ Indicator incorrectly placed.</p> <p>Analysis of a non-compatible indicator.</p> <p>Analysis of a compatible indicator but it is damaged or altered.</p>	<p>Verify that the indicator has been correctly placed.</p> <p>Verify that the glass is clean. Verify that the indicator is correctly placed on the glass.</p> <p>Verify that the indicator used says "Trazanto". Check the list of indicators compatible with the system.</p> <p>Verify that the indicator is not altered (it should not have scratches, tears, air bubbles, etc.) and that it is not written. If the indicator is altered, check the results visually.</p>

Warranty

Terragene® S.A. guarantees the quality of both the product's components and their manufacturing process. Should the product present any material or manufacturing defects within the warranty period (one year from its purchase) Terragene®'s only obligation will be its repair or replacement.

Liability Limitations

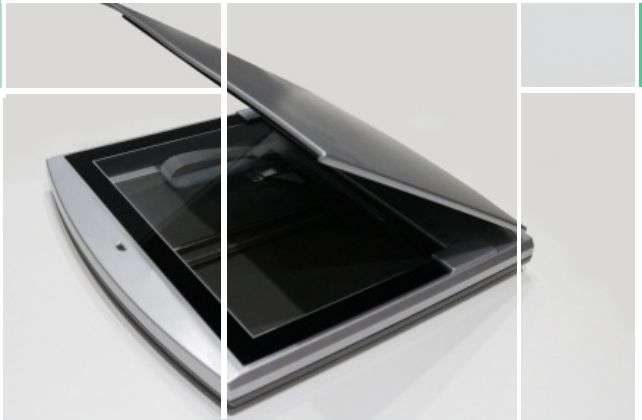
Terragene® S.A. is not liable for possible losses or damages resulting from the use of this device, from the user's negligence or his strict responsibility.

Technical Assistance

Terragene® S.A.
Ruta Nacional N° 9, Km 280 - CP 2130
Parque Industrial Micropi-Alvear-Santa Fe-Argentina.

Sistema Automático

para el Control de Calidad y Trazabilidad de
Procesos de Lavado, Desinfección y Esterilización
Trazanto.



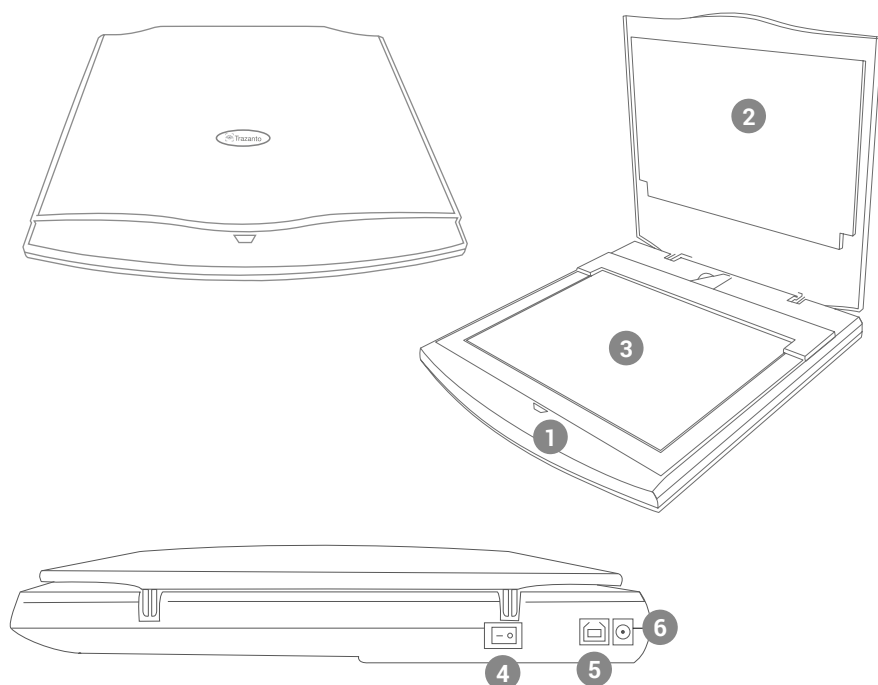
Innovación en tecnologías para el Control de Infecciones



TERRAGENE®

Rev.1 | Diciembre 2019

Composición	15
Referencias.....	15
Descripción de uso.....	15
Información de seguridad	16
Símbolos	16
Especificaciones de la fuente de alimentación.....	17
Condiciones ambientales de operación	17
Número de Serie/Lote.....	17
Requisitos del sistema.....	17
Instrucciones de uso	18
Puesta en marcha	18
Interpretación de los Resultados.....	19
Descarte de indicadores	19
Cuidado y limpieza.....	19
Tabla de solución de problemas	21
Garantía	22
Limitaciones de responsabilidad	22
Asistencia técnica	22



Referencias

- 1 LED indicador de encendido
- 2 Tapa
- 3 Cristal
- 4 Botón de encendido
- 5 Puerto USB
- 6 Entrada para clavija de fuente de alimentación

Descripción de uso

El sistema automático Trazanto para el control de calidad y trazabilidad de procesos de lavado, desinfección y esterilización está diseñado para asistir al usuario en el procesamiento de indicadores Terragene® de manera rápida y sencilla.

Para acceder a la lista completa de indicadores compatibles con el sistema, por favor visite www.terragene.com.ar/trazanto

El sistema Trazanto está compuesto por dos módulos fundamentales: un Módulo de Análisis implementado en software, y un módulo de hardware.

El módulo de hardware se compone por el Lector Trazanto, un sistema óptico de adquisición de imágenes cuidadosamente controlado y calibrado para lograr confiabilidad y repetitividad de sus mediciones sobre los indicadores compatibles con el sistema.

El Módulo de Análisis ha sido diseñado para trabajar en conjunto con el lector Trazanto. El modulo efectúa la detección y lectura de indicadores compatibles con el sistema mediante el uso de avanzados algoritmos inteligentes, que recuperan y digitalizan toda la información relevante de los mismos presentándola de forma conveniente y facilitando la identificación de indicadores aprobados y rechazados.

El sistema Trazanto agiliza el proceso de registro de los indicadores para su uso futuro permitiendo que los datos digitalizados por el modulo de análisis puedan ser registrados para su trazabilidad empleando software apropiado. El sistema Trazanto es completamente compatible con el Software de Trazabilidad de la línea Bionova®. El modulo de análisis de Trazanto es distribuido con la ultima versión del Software de Trazabilidad Bionova®. Siga las instrucciones de la sección *Puesta en Marcha* para descargar e instalar el software.



La lectura simultánea de más de un indicador no es posible.

Símbolos



Humedad relativa de funcionamiento.



Temperatura ambiente de funcionamiento.



Precaución, advertencia.



Importante, atención.



Corriente directa.



Usar solo en interiores



Mantener alejado de la luz solar.



Fabricante.



Número de serie.



Número de Lote.



Recolección independiente para el desecho de equipos eléctricos y electrónicos.

Los emisores LED del lector Trazanto no presentan riesgo fotobiológico y no producen radiación óptica peligrosa en ninguna de sus condiciones de operación.



Para evitar riesgos y daños en el equipo

- Utilice sólo en interiores.
- No golpee el cristal del lector ya que es frágil y podría romperlo.

- Desconecte el dispositivo si no va a usarlo durante un tiempo prolongado (durante la noche o el fin de semana) para evitar cualquier riesgo de ocasionar un incendio.
- No coloque el equipo en un ambiente expuesto a la luz solar directa o a lámparas de alta intensidad lumínica.
- No coloque el equipo cerca de dispositivos que emiten campos electromagnéticos.
- No utilice el equipo sobre superficies inclinadas o sometidos a impactos, vibraciones, temperatura o alta humedad relativa.
- No utilice el equipo cerca de lugares con suciedad, polvo, agua o calor.
- No vierta ningún líquido en su interior.
- No sumerja el equipo en ningún líquido.
- Asegúrese que el equipo esté conectado a la fuente de alimentación adecuada.
- Utilice únicamente el adaptador de alimentación de CA incluido con el dispositivo. El empleo de adaptadores de alimentación de CA distintos al incluido con el dispositivo podría causar incendios, descargas eléctricas, o incluso lesiones físicas.
- Utilice únicamente el cable de alimentación de CA y el cable USB incluidos con el dispositivo. Compruebe el buen estado de los cables de manera regular. Si los cables se encuentran dañados suspenda su uso. El empleo de cables de alimentación de CA y/o cables USB distintos a los incluidos con el dispositivo podría causar incendios, descargas eléctricas, o incluso lesiones físicas.
- No conecte ningún dispositivo que no sea una computadora personal al puerto USB del Lector Trazanto. La computadora debe estar en conformidad con IEC 60950-1, IEC 62368-1, o comparable, con voltajes de seguridad extra bajos en sus puertos USB. Consulte a un técnico calificado para verificar la compatibilidad del equipo. Conectar cualquier otro dispositivo al puerto USB puede dañar el lector y puede no ser seguro para el usuario.
- Desconecte el cable de alimentación antes de proceder a la limpieza del dispositivo.
- No utilice limpiadores o desinfectantes abrasivos o corrosivos para la limpieza del dispositivo.
- En caso de algún desperfecto técnico, contáctese con el fabricante para su asesoramiento. Por favor, evite abrir y/o intentar arreglar equipo por su cuenta; esto anulará la garantía indefectiblemente y puede ocasionar un desperfecto mayor e irreversible.



Para evitar errores al momento de la lectura automática de indicadores

- Verifique que no haya condensación de humedad ambiente en el cristal del lector.
- Verifique que el cristal del lector no presenta suciedad, manchas, polvo, etc en su superficie.
- No abra la tapa del lector mientras se está realizando una lectura.
- Verifique que luego del proceso de lavado o esterilización el indicador no presente alteraciones tales como rayones, rasgaduras, otras fallas mecánicas y/o alteraciones en su laminado plástico.
- No escriba sobre los indicadores antes de realizar la lectura.



No utilice este producto de manera no especificada por Terragene® S.A., de lo contrario, la protección proporcionada por el producto podría verse afectada. Solo personal autorizado por Terragene® S.A. puede acceder al interior del equipo y sus componentes. Ninguna parte o componente del interior del equipo debe ser manipulada por el usuario.

Especificaciones de la fuente de alimentación

Parámetros de entrada	Cond. de func.	Unidades
Rango de voltaje	100-240	Voltios
Frecuencia	50/60	Hertz
Corriente	0.6	Amperios
Parámetros de salida	Cond. de func.	Unidades
Voltaje	24	Voltios DC
Corriente	0.75	Amperios

Terragene® recomienda el uso de UPS en lugar de estabilizadores, ya que el mismo cumple dos funciones: estabiliza y mantiene la energía durante cortes de suministro.

Condiciones ambientales de operación

Cond. ambientales	Cond. de func.	Unidades
Altitud	3500 (máx.)	Metros
Temp. de operación	10-30	Celcius
Humedad relativa	30-80	%
Instalación/sobre voltaje	categoría II	
Temperatura de almacenamiento	10-30	Celcius
Voltaje	24	Voltios

Número de Serie/Lote

Para una fácil identificación, cada lector Trazanto posee un único número de serie impreso en una etiqueta que se encuentra en la base del lector. Por favor registre su número de serie en este manual para referencia futura:

Número de serie: _____

Número de lote: _____

Requisitos del sistema

Como guía general, estos son los requisitos mínimos de hardware recomendados:

CPU: Doble núcleo, 2GHz

Memoria RAM: 32 bit: 2 GB / 64 bit: 4 GB

Puerto USB: USB 2.0 (compatible con USB 3.0)

Sistema operativo: Windows 7 (SP1) / 8 / 10

Puesta en marcha

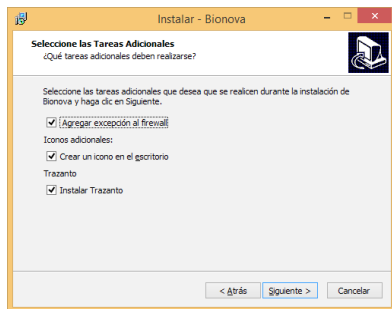
1-Coloque el equipo en una superficie firme, sin vibraciones, lejos de la luz solar, corrientes de aire caliente o frío, productos químicos y sustancias corrosivas o inflamables. Posicione el equipo de modo que la desconexión de la clavija de la fuente de alimentación no sea dificultosa. Deje un espacio de al menos 10 cm desde la pared. No mueva el equipo de forma periódica o durante su uso. Conecte el equipo a una fuente de energía eléctrica segura y estable.



No moje, ni caliente el equipo. Si algún líquido se derrama sobre el equipo, desconéctelo y seque de inmediato.

2- Para usar Trazanto®, conjuntamente con el Software de Trazabilidad Bionova®. Descargue la última versión disponible del software de trazabilidad ingresando a la página <http://www.terragene.com.ar/software>

Una vez descargado el archivo, ejecute el instalador y siga las instrucciones en pantalla, verifique que la opción de "Instalar Trazanto" este seleccionada al momento de la instalación.

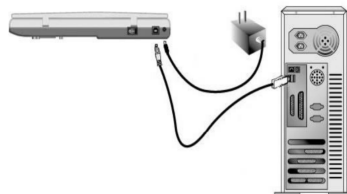


NOTA: Para asegurarse de que el ordenador puede identificar al equipo correctamente, primero instale el software del escáner y luego conecte el escáner al ordenador.

3- Encienda el lector Trazanto conectando la fuente de alimentación a la red de suministro eléctrico, y el otro extremo de la fuente (clavija) en la parte posterior de la unidad. Oprima el interruptor de encendido a la posición "I". El LED indicador de encendido del dispositivo quedará encendido indicando que la unidad está lista para su uso.

NOTA: Para apagar el dispositivo, oprima nuevamente el interruptor de encendido a la posición "O".

4- Conecte el extremo cuadrado del cable USB al puerto USB del lector y el extremo rectangular al puerto USB de la PC.



5- Ejecute el Software de Trazabilidad Bionova®.

6- Abra la tapa del lector. Coloque un indicador químico o de lavado con la tinta hacia abajo sobre el cristal. No es necesario alinear el indicador.



IMPORTANTE:




Coloque solo un indicador cada vez que realice una lectura automática.



Para la correcta lectura del indicador el cristal debe estar libre de condensación, manchas, suciedad, huellas digitales, partículas de polvo, etc. Si comprueba que el cristal no está limpio realice los procedimientos de limpieza descritos en la sección de cuidado y limpieza.



No escriba sobre el indicador antes de realizar la lectura automática del mismo. Cualquier leyenda sobre el indicador podría invalidar el proceso de lectura.

7- Comience el proceso de lectura automática. Para esto cierre la tapa del lector y en el Software de Trazabilidad Bionova®, diríjase a la pestaña TRAZANTO directamente o pulsando el ícono  de la barra de tareas. Pulse el botón ANALIZAR para dar comienzo a la lectura. Si el proceso se ejecuta correctamente, se abrirá una ventana como la siguiente informando los datos del indicador analizado y el resultado de la lectura.

Indicadores de esterilización

Datos del indicador:

Fabricante: TERRAGENE Fecha vencimiento: 24/03/2024 Fecha fabricación: 19/03/2019 Marca de producto: INTEGRON

Cód. de producto: IT261YS Lote de producto: IT261YS010319 Lectura automática: **Aceptado**

Imagen:

Turno to: or dark

Integron

Trazanto

ORDER CODE: IT26-115

Integrator

ISO 11140-1, Type 5

EUD: IT261YS010319

2024-03

TERAGENE

Información de Proceso de Esterilización:

Campos obligatorios(*):

Número Ciclo* Temperatura* ID esterilizador* Marca del esten.* Nro. serie*

Num. paquete* Tiempo de exposición*

Prog. #

Archivar: Libro nro. Folio # Observaciones

¿Está de acuerdo con la lectura automática? De acuerdo No de acuerdo

Dependiendo del modelo de indicador, se completarán automáticamente los siguientes campos: Fabricante, Fecha de vencimiento, Fecha de fabricación, Marca, Código de producto y Lote. El resultado propuesto de la lectura se informará sobre la imagen del indicador analizado. Complete además los campos de proceso requeridos.

Compruebe visualmente el resultado del indicador. Si su resultado visual coincide con el de la lectura automática, pulse el botón *De Acuerdo* para guardar el resultado. Si su resultado visual no coincide con el de la lectura automática, pulse el botón *No De Acuerdo*, para guardar el resultado de su examen visual.

Para descartar la lectura automática de un indicador, pulse el botón

! La primera vez que use el lector para realizar el análisis de un indicador, Trazanto se conectará a internet por única vez para descargar los archivos de configuración necesarios para su funcionamiento. Verifique que su PC dispone de una conexión a internet.

! Verifique que su PC dispone de una conexión a internet antes de realizar el análisis de un indicador por primera vez. Lea con cuidado las instrucciones de uso de los indicadores que emplee. Al momento de corroborar el resultado de forma visual utilice la guía de referencia de resultados que se encuentra en las instrucciones de uso de cada indicador.

! Verifique que luego del proceso de esterilización el indicador no presenta alteraciones tales como rayones, rasaduras, o burbujas sobre la tinta. Dado que esto podría influir en el proceso de lectura automática, corrobore el resultado de forma visual.

Interpretación de los Resultados

Lectura automática

Lea detenidamente las instrucciones de uso de cada indicador antes de realizar la lectura automática del mismo. En todos los casos compruebe el resultado de la lectura automática de forma visual.

El resultado de la lectura de un indicador puede ser:

Rechazado El lector detecta que el indicador no ha virado completamente.

Aceptado El lector detecta que el indicador ha virado completamente.

El proceso de lectura automática requiere una correcta preparación del indicador. Cada vez que realice la lectura de un indicador, compruebe que el resultado de imagen es lo suficientemente nítido, y se encuentra libre de manchas que no correspondan al indicador. Si comprueba que el resultado de imagen no es lo suficientemente nítido, presenta manchas ó suciedad visible, realice los procedimientos de limpieza descritos en la sección cuidado y limpieza. Posteriormente, realice nuevamente la lectura automática del indicador.

Lectura visual

Para interpretar los resultados de forma visual utilice la referencia que se encuentra en las instrucciones de uso de cada indicador.

Descarte de indicadores

Descartar los indicadores luego de su uso de acuerdo con las regulaciones sanitarias de su país. No es posible volver a utilizar los indicadores.

Cuidado y limpieza

Antes de realizar cualquier procedimiento de limpieza sobre el lector Trazanto, apague el dispositivo y desconecte los cables de alimentación y USB del panel posterior. Espere unos minutos hasta que el dispositivo se enfríe a temperatura ambiente antes de realizar la limpieza.

Limpeza de superficies externas

Limpe las superficies externas del equipo con un paño ligeramente humedecido. Evite que penetren líquidos en el interior del dispositivo. No limpie el interior del equipo. Si se requiere la limpieza de los componentes internos del equipo, contáctese con su distribuidor local.

Limpeza del cristal

Para asegurar la calidad del análisis del indicador, el cristal se debe mantener libre de manchas ó suciedad visible.

Procedimiento:

1. Apague el lector Trazanto, y desconecte los cables de alimentación y USB del dispositivo.
2. Aguarde a que el cristal del lector se encuentre a temperatura ambiente.
3. Humedezca ligeramente el paño incluido con el lector en alcohol isopropílico (95%). Verifique que el paño este limpio. No emplee agua.
4. Abra la tapa del equipo y limpie cuidadosamente la superficie del cristal. Emplee guantes.
5. Aguarde unos instantes mientras el alcohol se evapora. Verifique que no hayan quedado residuos o manchas en el cristal.
6. Cierre la tapa del lector.



No limpie el cristal si el dispositivo se halla a una temperatura superior que la temperatura ambiente o podría ocasionar daños en el mismo.

Falla	Posible causa	Acción
El lector Trazanto no enciende.	La fuente de alimentación no está conectada correctamente al lector.	Verifique que la fuente de alimentación se encuentre conectada a una red de suministro eléctrico adecuada. Revise que la clavija de la fuente de alimentación se encuentre conectada correctamente al lector.
No se puede acceder a Trazanto desde el Software de Trazabilidad Bionova®	Problema durante la instalación del sistema Trazanto.	Descargue e instale la última versión del Software de Trazabilidad Bionova®. Verifique que la casilla de "Instala Trazanto" se halla seleccionada al momento de la instalación.
No se puede establecer comunicación con el lector. Mensaje de error "Lector no detectado"	Cable USB no conectado / mal conectado. Problema durante la instalación del sistema Trazanto.	Revise la conexión del cable USB. Pruebe desconectar y reconectar los conectores del cable USB. Verifique que el sistema Trazanto haya sido instalado correctamente. Verifique que el lector haya sido reconocido e instalado adecuadamente por el sistema operativo.
Se observa una línea negra atravesando la imagen digitalizada.	Problema de comunicación con el lector.	Reinicie el lector. Para ello oprima el interruptor de encendido a la posición "0", espere 10 segundos, y oprima nuevamente el interruptor a la posición "1"
La imagen digitalizada presenta marcas que no se encuentran en el indicador.	Suciedad en el cristal del lector.	Limpie el cristal del lector como se indica en la sección <i>Cuidado y Limpieza</i> .
Trazanto no puede realizar el análisis de un indicador por primera vez. Mensaje "No se encuentran archivos de calibración"	No se han descargado los archivos de configuración del lector.	Verifique que su PC tenga acceso a internet. Cierre el Software de Trazabilidad, y siga los pasos de la sección <i>Puesta en marcha</i> .
Trazanto no puede analizar correctamente un indicador. Mensaje "Verifique que un indicador compatible se encuentra en el lector".	No se ha colocado un indicador en el lector. Lectura parcial de un indicador /Indicador colocado incorrectamente. Análisis de un indicador no compatible. Análisis de un indicador compatible que está dañado o alterado.	Compruebe si ha colocado correctamente el indicador. Verifique la limpieza del cristal. Verifique que el indicador se encuentra colocado sobre el cristal correctamente. Verifique que el indicador empleado presente la leyenda Trazanto. Compruebe la lista de indicadores compatibles con el sistema. Verifique que el indicador no presenta alteraciones físicas (rayones, rasgaduras, o burbujas de aire, inscripciones). Si el indicador presenta alteraciones compruebe el resultado de forma visual.

Garantía

Terragene® S.A. garantiza tanto la calidad de los componentes materiales de este producto como su proceso de fabricación. Si se detecta que el producto presenta defectos de sus materiales o de fabricación dentro del plazo de garantía (1 año desde su adquisición), la única obligación de Terragene® S.A. será la reparación o la sustitución del producto.

Limitaciones de responsabilidad

Terragene® S.A. no se responsabiliza por las pérdidas o daños producidos por el uso de este equipo, por negligencia o por responsabilidad estricta del usuario.

Asistencia técnica

Terragene® S.A.
Ruta Nacional N° 9, Km 280 - CP 2130
Parque Industrial Micropi-Alvear-Santa Fe-Argentina.

Sistema Automático

para Controle de Qualidade e Rastreabilidade de Processos de Lavagem, Desinfecção e Esterilização Trazanto.



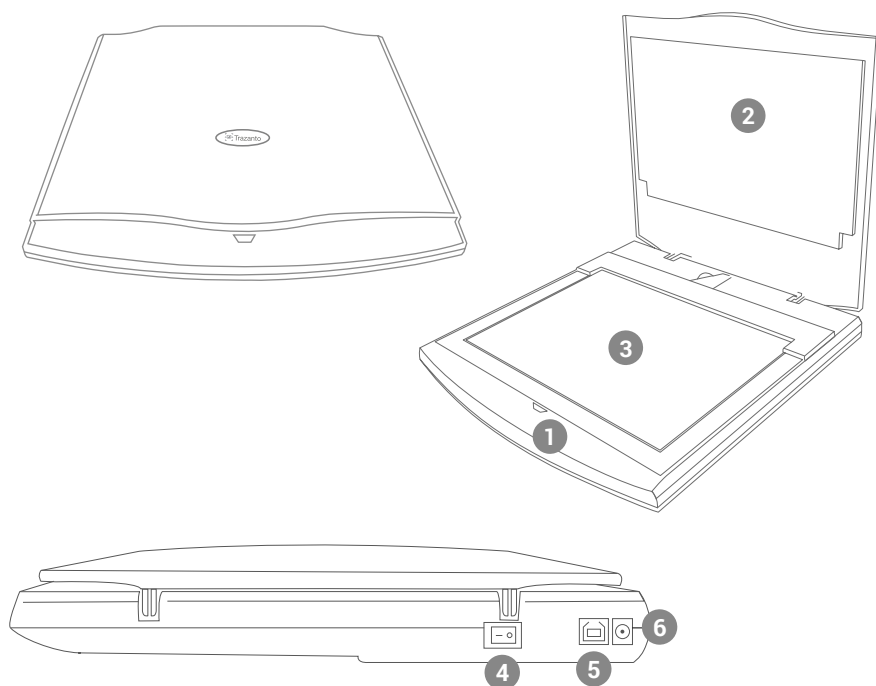
Inovação em tecnologias para Controle de Infecção.



TERRAGENE®

Rev.1 | Dezembro 2019

Composição	26
Referências	26
Descrição de uso	26
Informação de Segurança	27
Símbolos	27
Especificações da fonte de alimentação	28
Condições ambientais de operação	28
Número de Série/Lote	28
Requisitos do sistema	28
Instruções de Uso	29
Colocação em funcionamento	29
Interpretação dos resultados	30
Descarte de indicadores	30
Cuidado e limpeza	30
Tabela de Solução de Problemas	32
Garantia	33
Limites de responsabilidade	33
Suporte técnico	33



Referências

- 1 LED indicador de ligado
- 2 Tampa
- 3 Cristal
- 4 Botão de ligar
- 5 Porta USB
- 6 Entrada para a ficha da fonte de alimentação

Descrição de uso

O sistema automático Trazanto para Controle de Qualidade e Rastreabilidade de processos de Lavagem, Desinfecção e Esterilização é desenhado para assistir o usuário no processamento de indicadores Terragene® de forma rápida e simples.

Para acessar a lista completa de indicadores compatíveis com o sistema, visite www.terragene.com.ar/trazanto

O sistema Trazanto consiste em dois módulos fundamentais: um módulo de análise implementado em software e um módulo de hardware.

O módulo de hardware é composto pelo Leitor Trazanto, um sistema óptico de aquisição de imagens cuidadosamente controlado e calibrado para obter confiabilidade e repetitividade em suas medições sobre os indicadores compatíveis com o sistema.

O módulo de análise foi projetado para trabalhar em conjunto com o leitor Trazanto. O módulo torna a detecção e a leitura de indicadores compatíveis com o sistema através do uso de algoritmos inteligentes avançados, que recuperam e digitalizam todas as informações relevantes, apresentando-as de forma conveniente e facilitando a identificação de indicadores aprovados.

O sistema Trazanto agiliza o processo de registro dos indicadores para uso futuro, permitindo que os dados digitalizados pelo módulo de análise sejam registrados para rastreabilidade usando o software apropriado. O sistema Trazanto é totalmente compatível com o software de rastreabilidade da linha Bionova®. O módulo de análise Trazanto é distribuído com a versão mais recente do software de rastreabilidade Bionova®. Siga as instruções na seção Colocação em funcionamento para baixar e instalar o software.



Não é possível fazer a leitura simultânea de mais de um indicador.

Símbolos

- Umidade relativa de funcionamento.
- Temperatura ambiente de funcionamento.
- Cuidado, advertência.
- Importante, atenção.
- Corrente direta.
- Usar apenas em ambientes internos.
- Manter afastado da luz solar.
- Fabricante.
- Número de série.
- Número do lote.
- Colheita independente para a eliminação de equipamentos elétricos e eletrônicos.



Os emissores LED do leitor Trazanto não apresentam risco fotobiológico e não produzem radiação óptica perigosa em quaisquer condições de operação.



Para evitar riscos e danos no equipamento

- Utilize apenas em ambientes internos.
- Evite bater no cristal do leitor. Ele é frágil e poderia quebrar.

- Desligue o dispositivo se não irá usá-lo durante certo tempo (durante a noite ou no final de semana) a fim de evitar qualquer risco de incêndio.
- Não coloque o equipamento em ambiente exposto à luz solar direta ou lâmpadas de alta intensidade luminosa.
- Não coloque o equipamento próximo de dispositivos que emitam campos eletromagnéticos.
- Não utilize o equipamento sobre superfícies inclinadas ou submetidos a impactos, vibrações, temperatura ou alta umidade relativa.
- Não utilize o equipamento próximo de espaços com sujeira, pó, água ou calor.
- Não despeje nenhum líquido dentro dele.
- Não submerja o equipamento em qualquer líquido.
- Confira que o equipamento fique ligado à fonte de conexão adequada.
- Utilize apenas o adaptador de alimentação de CA fornecido com o dispositivo. O uso de adaptadores de alimentação de CA diferentes daquele fornecido junto com o dispositivo pode resultar em incêndio, descargas elétricas e inclusive lesões físicas.
- Utilize apenas o cabo de alimentação de CA fornecido com o dispositivo. Verifique regularmente o bom estado dos cabos elétricos. Se os cabos estiverem danificados, descontinuar o uso. O uso de cabos de alimentação de CA e/ou cabos USB diferentes daqueles fornecidos junto com o dispositivo pode resultar em incêndio, descargas elétricas e inclusive lesões físicas.
- Não conecte nenhum dispositivo à porta USB do leitor Trazanto que não seja um computador pessoal. O computador deve estar em conformidade com as normas IEC 60950-1, IEC 62368-1 ou comparáveis, com segurança extra-baixa tensão em suas portas USB. Consulte um técnico qualificado para verificar a compatibilidade do equipamento. Conectar qualquer ou outro dispositivo ao porto USB pode danificar o leitor e não ser seguro para o usuário.
- Desligue o cabo de alimentação antes de proceder à limpeza do dispositivo.
- Não utilize produtos de limpeza ou desinfetantes abrasivos ou corrosivos para a limpeza do dispositivo.
- Em caso de mal funcionamento técnico, entre em contato com o fabricante para receber

orientações. Por favor, evite abrir e/ou tentar consertar o equipamento por conta própria. Isso invalidará a garantia de forma irrefutável e pode ocasionar uma avaria maior e irreversível.



Para evitar erros na leitura automática dos indicadores

- Verifique se não há condensação de umidade no cristal do leitor.
- Verifique que o cristal do leitor não apresente sujeira, manchas, pó, etc. na superfície.
- Não abra a tampa do leitor enquanto esteja sendo realizada uma leitura.
- Verifique se, após o processo de limpeza ou esterilização, o indicador não mostra alterações como arranhões, rasgos, outras falhas mecânicas ou quaisquer alterações em seu laminado plástico.
- Não escreva sobre os indicadores antes de realizar a leitura.



Não utilize esse produto de forma diferente ao indicado por Terragene® S.A., caso contrário, a proteção fornecida pelo produto poderia ser afetada. Apenas pessoal autorizado por Terragene® S.A. pode acessar o interior do equipamento e seus componentes. O usuário não deve manipular nenhuma parte ou componente interno do equipamento.

Especificações da fonte de alimentação

Parâmetros de entrada	Condições de operação	Unidades
Faixa de tensão	100-240	Volts
Frequência	50/60	Hertz
Corrente	0.6	Amperes
Parâmetros de saída	Condições de operação	Unidades
Tensão	24	Volts DC
Corrente	0.75	Amperes

Terragene® recomenda o uso de UPS ao invés de estabilizadores, já que o mesmo cumpre duas funções: estabiliza e mantém a energia em caso de interrupção no fornecimento de electricidade.

Condições ambientais de operação

Condições ambientais	Condições de operação	Unidades
Altitude	3500 (máx.)	Metros
Temp. de operação	10-30	Celcius
Umidade relativa	30-80	%
Instalação/sobretensão	categoria II	
Temperatura de armazenagem	10-30	Celcius
Tensão	24	Volts

Número de Série/Lote

Para facilitar a identificação, cada leitor Trazanto possui um número de série único impresso em um rótulo na base do leitor. Por favor, faça o cadastro de seu número de série nesse manual para futura referência:

Número de série: _____

Número de lote: _____

Requisitos do sistema

Como guia geral, estes são os requisitos mínimos de hardware recomendados:

CPU: Doble núcleo, 2GHz

Memória RAM: 32 bit: 2 GB / 64 bit: 4 GB

Porta USB: USB 2.0 (compatível com USB 3.0)

Sistema operativo: Windows 7 / 8 / 10

Colocação em funcionamento

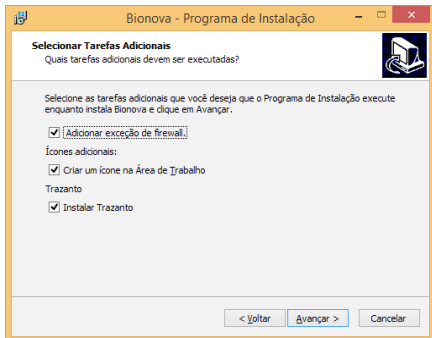
1-Coloque o leitor Trazanto sobre uma superfície firme, sem vibrações, longe da luz solar, produtos químicos e substâncias corrosivas ou inflamáveis. Coloque o leitor com a tampa para cima e o led indicador de ligado direcionado para o operador. Posicione o equipamento de forma que seja fácil desligar a ficha da fonte de alimentação. Deixe o equipamento a uma distância de ao menos 10 cm do muro. Não movimente o equipamento periodicamente nem durante o uso. Ligue o equipamento a uma fonte de energia segura e estável.



Não molhe nem esquite o equipamento. Caso tiver um vazamento sobre o equipamento, desligue-o e enxugue imediatamente.

2-Para usar Trazanto em conjunto com o Software de Rastreabilidade Bionova®. Faça download da última versão disponível do software de rastreabilidade acessando o site <http://www.terragene.com.ar/software>

Uma vez descarregado o arquivo, execute o instalador e siga as instruções na tela, verifique que a opção «Instalar Trazanto» esteja selecionada ao momento da instalação.



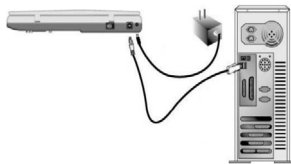
NOTA: Para garantir que o leitor Trazanto será detectado corretamente, instale o software antes de ligar o leitor ao computador pela primeira vez.

3- Ligue o leitor Trazanto conectando a fonte de alimentação à rede de energia elétrica e a outra extremidade da fonte (conector) à parte posterior da unidade.

Pressione o interruptor de partida na parte posterior da unidade para a posição «I». O LED indicador de ligado do dispositivo ficará aceso indicando que a unidade está pronta para ser usada.

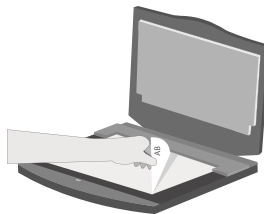
NOTA: Para desligar o dispositivo, pressione de novo o interruptor de partida para a posição «O».

4- Conecte a ficha quadrada do cabo USB na porta USB do leitor e a ficha retangular na porta USB do computador.



5- Execute o Software de Rastreabilidade Bionova®.

6- Abra a tampa do leitor. Coloque o indicador químico ou de lavagem com a tinta para baixo sobre o cristal. Não é necessário alinhar o indicador.



IMPORTANTE




Coloque apenas um indicador a cada vez que realize uma leitura automática.



Para a correta leitura do indicador, o cristal deve estar livre de condensação, manchas, sujeira, impressões digitais e partículas de poeira, etc. Caso comprove que o cristal não está limpo, realize os procedimentos de limpeza descritos na seção *cuidado e limpeza*.



Não escreva sobre o indicador antes de realizar a leitura automática do mesmo. Qualquer inscrição sobre o indicador poderia invalidar o processo de leitura.

7 - Dê início ao processo de leitura automática. Para tanto, feche a tampa do leitor e, no Software de Rastreabilidade Bionova®, selecione a aba TRAZANTO diretamente ou selecionando o ícone  da barra de tarefas. Pressione no botão ANALISAR para iniciar a leitura. Se o processo é executado corretamente, abrir-se-á uma janela como a seguinte, que informará os dados do indicador analisado e o resultado da leitura.



Verifique que após o processo de esterilização o indicador não apresente alterações como arranhões, rasgos ou bolhas sobre a tinta. Isso poderia afetar o processo de leitura automática, comprove o resultado de forma visual.

Interpretação dos resultados

Leitura automática

Leia atentamente as instruções de uso de cada indicador antes de realizar a leitura automática do mesmo. Em qualquer caso, comprove o resultado da leitura automática de forma visual.

O resultado da leitura de um indicador pode ser algum dos seguintes:

Rejeitado O leitor detecta que o indicador não virou completamente.

Aceito O leitor detecta que o indicador virou completamente.

O processo de leitura automática requer a correta preparação do indicador. A cada vez que realize a leitura de um indicador, comprove que o resultado da imagem seja suficientemente nítido e livre de manchas que não correspondam ao indicador.

Caso comprove que o resultado da imagem não é suficientemente nítido, apresenta manchas ou sujeira visível, realize os procedimentos de limpeza descritos na seção cuidado e limpeza. A seguir, realize novamente a leitura automática do indicador.

Leitura visual

Para interpretar os resultados de forma visual, utilize a referência nas instruções de uso de cada indicador.

Descarte de indicadores

Descarte os indicadores após o uso conforme as regulamentações de saúde de seu país. Não é possível utilizar os indicadores mais de uma vez.

Cuidado e limpeza

Antes de realizar qualquer procedimento de limpeza sobre o leitor Trazantito, desligue o dispositivo e desconecte os cabos de alimentação e USB do painel posterior. Espere uns minutos e deixe o dispositivo arrefecer até alcançar a temperatura ambiente para realizar a limpeza.

Dependendo do modelo do indicador, completar-se-ão automaticamente os campos a seguir: Fabricante, Data de validade, Data de fabricação, Marca, Código de produto e Lote. O resultado proposto da leitura será informado sobre a imagem do indicador analisado. Preencha também os campos de processo requeridos.

Verifique visualmente o resultado do indicador.

Se o seu resultado visual coincide ao da leitura automática, pressione o botão *De acordo* para salvar o resultado. Se o seu resultado visual não coincide ao da leitura automática, pressione o botão *Não de acordo* para salvar o resultado do seu examen visual.

Para descartar a leitura automática de um indicador, pressione o botão .



Da primeira vez em que o leitor é utilizado para realizar a análise de um indicador, Trazantito se conectará à Internet só uma vez para baixar os arquivos de configuração necessários para sua operação. Verifique que seu computador disponha de uma conexão ativa com a Internet.



Leia atentamente as instruções de uso dos indicadores que utilize. Ao momento de comprovar o resultado de forma visual, utilize o guia de referência de resultados nas instruções de uso de cada indicador.

Limpeza de superfícies externas

Limpe as superfícies externas do equipamento com um pano apenas úmido. Evite líquidos penetrarem no interior da incubadora durante a limpeza. Não limpe o interior do equipamento. Caso precisar de limpeza dos componentes internos do equipamento, entre em contato com o distribuidor local.

Limpeza do cristal

A fim de garantir a qualidade da análise do indicador, o cristal deve ficar livre de manchas ou sujeira visível.

Procedimento:

1. Desligue o leitor Trazanto, e desconecte os cabos de alimentação e USB do dispositivo.
2. Aguarde o cristal do leitor alcançar a temperatura ambiente.
3. Umedeça levemente o pano de microfibra incluído com o leitor em álcool isopropílico (95%). Verifique que o pano esteja limpo. Não use água.
4. Abra a tampa do equipamento e limpe cuidadosamente a superfície do cristal. Utilize luvas.
5. Aguarde uns instantes enquanto o álcool evapora. Verifique a inexistência de resíduos ou manchas no cristal.
6. Feche a tampa do leitor.



Não limpe o cristal se a temperatura do dispositivo estiver mais alta do que a temperatura ambiente, já que poderia danificá-lo.

Tabela de Solução de Problemas

Falha	Possível causa	Ação
O leitor Trazanto não liga.	A fonte de alimentação não está corretamente conectada ao leitor.	Verifique que a fonte de alimentação esteja conectada a uma rede de fornecimento elétrico adequada. Revise que a ficha da fonte de alimentação esteja corretamente conectada ao leitor.
Não é possível acessar Trazanto através do software de rastreabilidade Bionova®	Problema durante a instalação do sistema Trazanto.	Faça download e instale a última versão do software de rastreabilidade Bionova®. Verifique que a opção «Instalar Trazanto» esteja selecionada ao momento da instalação.
Não é possível estabelecer comunicação com o leitor. Mensagem de erro «Leitor não detectado»	Cabo USB desligado / mal conectado. Problema durante a instalação do sistema Trazanto.	Revise a conexão do cabo USB. Tente desligar e ligar novamente os conectores do cabo USB. Verifique que o sistema Trazanto tenha sido instalado corretamente. Verifique que o leitor tenha sido reconhecido e instalado adequadamente pelo sistema operativo.
Se observa uma linha preta através da imagem digitalizada.	Problema de comunicação com o leitor.	Reinicie o leitor. Para isso, pressione o interruptor de partida para a posição «0», espere 10 segundos e pressione novamente o interruptor para a posição «I».
A imagem digitalizada apresenta marcas que não estão no indicador.	Sujeira no cristal do leitor.	Limpe o cristal do leitor como é indicado na seção <i>Cuidado e Limpeza</i> .
Trazanto não pode realizar análise de um indicador pela primeira vez. Mensagem «Arquivos de calibração não encontrados»	Os arquivos de configuração do leitor não foram descarregados.	Verifique que seu computador tenha acesso à internet. Feche o software de rastreabilidade e siga os passos da seção <i>Implementação</i> .
Trazanto não consegue analisar corretamente um indicador. Mensagem «Verifique que há um indicador compatível no leitor»	Não foi colocado um indicador no leitor. Leitura parcial de um indicador / Indicador colocado incorretamente. Análise de um indicador não compatível. Análise de um indicador compatível danificado ou alterado.	Certifique-se de ter colocado corretamente o indicador. Verifique a limpeza do cristal. Verifique que o indicador tenha sido colocado corretamente sobre o cristal. Verifique que o indicador utilizado apresente a inscrição Trazanto. Verifique a lista de indicadores compatíveis com o sistema. Verifique que o indicador não apresente alterações físicas (arranhões, rasgões, bolhas de ar, etc.), e que ele não tenha sido escrito. Caso o indicador apresentar alterações, comprove o resultado de forma visual.

Garantía

Terragene® S.A. garante tanto a qualidade dos componentes materiais desse produto quanto seu processo de fabricação. Se o produto apresentar defeitos nos materiais ou na fabricação dentro do prazo da garantia (1 ano a partir da aquisição), Terragene® S.A. será responsável apenas pela reparação ou substituição do produto.

Limites de responsabilidade

Terragene® S.A. não se responsabiliza pelas perdas e danos decorrentes do uso desse equipamento, por negligência ou estrita responsabilidade do usuário.

Suporte técnico

Terragene® S.A.
Ruta Nacional N° 9, Km 280 - CP 2130
Parque Industrial Micropi-Alvear-Santa Fe-Argentina.

